

Deb TF Ultra™ Dispenser

Attractively designed, power efficient touch free dispensing system for use with Deb foaming hand hygiene products.

USAGE

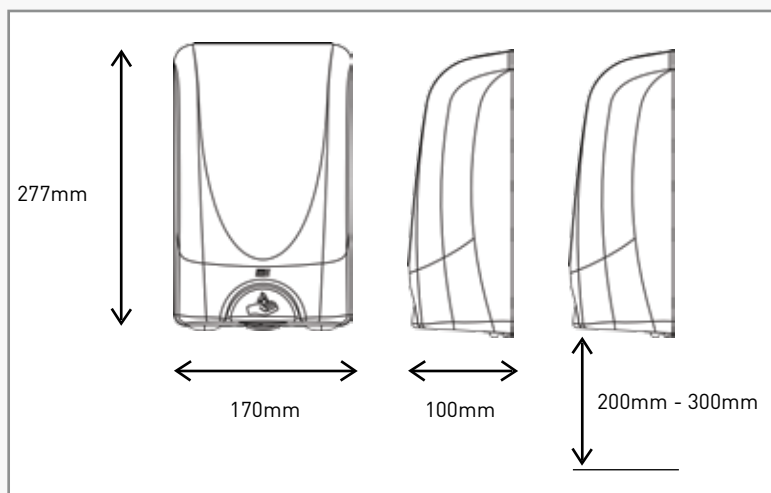
Suitable for use in any public facility washroom. Also, ideal for use in hallways, office and reception / lobby areas in conjunction with Deb InstantFOAM® hand sanitiser and dispenser stand

METHOD OF USE

Simply hold hand under dispenser to activate. No touch required.

Feature	Benefit
'Touch Free' Dispenser	<ul style="list-style-type: none"> Encourages use and minimises any risk of cross-contamination.
Versatile	<ul style="list-style-type: none"> Can be used on walls in washrooms, corridors and hallways or on Deb's free-standing chrome stand.
Exceptionally Long Battery Life	<ul style="list-style-type: none"> The power provided by 4 D-Cell batteries will provide up to 5 years of operation in typical usage conditions.
Reliable	<ul style="list-style-type: none"> Uses the latest infra-red sensing technology for reliable operation to prevent misfiring; tolerant to skin colour, temperature, ambient light & humidity.
Robust & Long-Life	<ul style="list-style-type: none"> Dispensers are guaranteed against normal wear and tear for 5 years*. <p>*Conditional on correct installation and care.</p>
Large Capacity	<ul style="list-style-type: none"> Cartridges contain 1200ml of foam hand wash product providing approximately 1720 applications and 1000ml of Deb InstantFOAM hand sanitiser providing 1592 applications.
BioCote® Protected	 <ul style="list-style-type: none"> Dispensers are protected by BioCote® a silver-based antimicrobial agent that is incorporated during the manufacturing process and inhibits the growth of a broad spectrum of bacteria and moulds. BioCote® does not rub-off and is effective for the lifetime of the dispenser.
Ultimate View Window	<ul style="list-style-type: none"> The attractive translucent covers provide unobtrusive visibility of the cartridge content level without opening the dispenser.
Colour Options	<ul style="list-style-type: none"> Available in a range of colours to match different decor environments.
Lock and Keyless Option	<ul style="list-style-type: none"> For maximum security the dispenser can be locked and opened with the special key provided, or alternatively it can be easily converted to a keyless, non-locking operation.
Integrated Catch Tray	<ul style="list-style-type: none"> Optional catch tray can be used to prevent product landing on floors if dispenser is accidentally activated or misused.

TECHNICAL SPECIFICATIONS



DIMENSIONS

- 170mm wide x 100mm deep x 277mm high
- Gross weight: 2.9kg / 6.4lb (complete with batteries and cartridge)
- Ensure unit is located with appropriate space to each side and below

- Requires the use of 4 high quality Alkaline D Cell batteries to maximise units operating time
- Compliant with requirements of EN 60601-1-2: 2001 
- WEEE regulation compliant 
- ROHS directive compliant 
- DO clean with a damp cloth
- DO NOT hose down or spray with water
- DO NOT use abrasive cleaners
- DO NOT use solvent based cleaners
- DO NOT use caustic or acid based cleaners

TF ULTRA DISPENSER OPTIONS AVAILABLE

Stock code	Dispenser	Cartridge capacity
TF2CHR	Black & Chrome	1200ml
TF2WHI	White & Chrome Border	1200ml
TF2AZU	Transparent Blue	1200ml
IFSTF2EN	Deb InstantFOAM®	1000ml
ANTTF2EN	Deb Stoko Cleanse Antimicrobial	1200ml



Head Office: Deb Group Limited,
Denby Hall Way, Denby, Derbyshire,
DE5 8JZ, UK.
Tel: +44 (0) 1773 855100
www.debgroup.com

Deb® is a registered trademark of Deb Group Ltd.

The world's leading away from home skin care company